

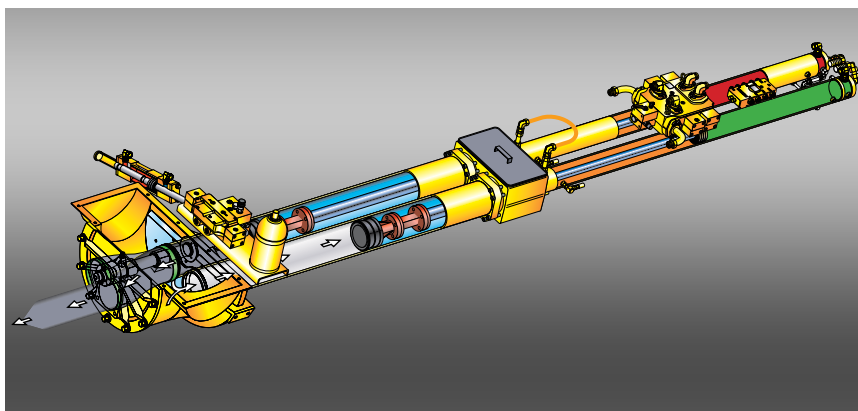
S 28 X

Truck-Mounted concrete pump
with 4-section placing boom



A CLASSIC BOOM SIZE MODERNIZED FOR HIGH UTILIZATION

Endless possibilities with four-section versatility



*This open loop all-hydraulic concrete pump sets the standard for fuel-efficiency, reliability and performance. Easily switch the hydraulics from the rod side to the piston side for higher pressure applications. **Rock Valve™** is designed to pump the harshest mixes and provide the lowest per yard operating costs.*



*Patented **Vector Controls** allow two-way communication between pump and operator. Critical real-time operating data is displayed at the remote box and stored in the controller for easy retrieval.*



Here's the boom size that started it all more than 30 years ago, now modernized for 21st century pumping. The new S 28 X combines four-sections with more articulation than any other 28-meter boom. And with 540-degrees of articulation in the last two sections, this boom gets you in places no other boom can.

Use your 28 X to place inside enclosed structures or under bridge decks and mezzanines with low 19'2" unfolding height. It also functions as a residential foundation pump with 78-feet of horizontal reach and performs on light commercial work with 90'11" of vertical reach. Fast, compact set-up with X-style outriggers and fast clean-out of the Rock Valve™ means multiple jobs per day including line pumping with the optional 180-degree discharge outlet.

Expand your market with this multi-duty pump that delivers as a specialty pump, goes out on everyday pours and fills in as a line pump. High utilization means high revenue when you match this pump up with lots of jobs every week.



Optional 180° discharge outlet rotates for line pours off either side of the machine for added versatility and higher utilization. Lightweight aluminum hopper cover is standard.



Fold down sideboards store extra pipe and clamps for line pours and add to the pump's high utilization for owner operators, contractors or pumping fleets. Compact size makes this pump more maneuverable than larger pumps for better job site access.

SPECIFICATIONS

Pump Kit on S 28 X

2023-5 130/80 MSP

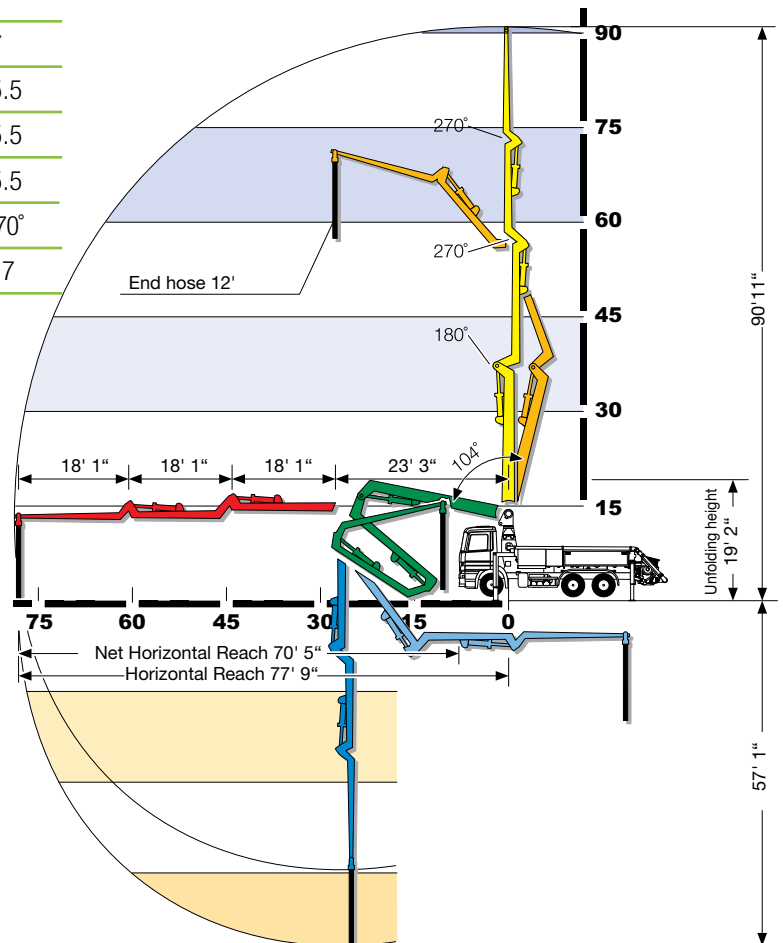
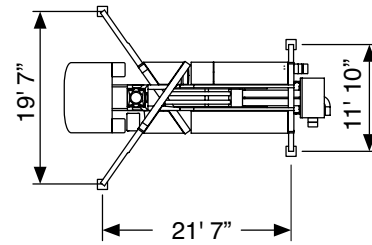
	U.S. Rod/Piston	Metric Rod/Piston
Theor. Concrete Output Per Hour (cubic yards - cubic meters)	208/131	161/100
Maximum Pressure on Concrete (psi - bar)	1007/70	65/95
Maximum Strokes Per Minute	32/32	
Material Cylinder Diameter (in. - mm)	9	230
Material Cylinder Stroke Length (in. - mm)	79	2000
Differential Cylinder Size (in. - mm)	5.1	130
Maximum Aggregate Size (in. - mm)	2.5	63.5

Boom Specifications

	U.S.	Metric
Pipeline Diameter (in. - mm)	5	125
Vertical Reach (ft.-in. - m)	90-11	28
Horizontal Reach (ft.-in. - m)	77-9	23.7
Net Horizontal Reach (ft.-in. - m)	70-5	21.5
Unfolding Height (ft.-in. - m)	19-2	5.8

Section Lengths		
First Section (ft.-in. - m)	23-3	7
Second Section (ft.-in. - m)	18-1	5.5
Third Section (ft.-in. - m)	18-1	5.5
Fourth Section (ft.-in. - m)	18-1	5.5
Slewing Range (degrees)	370°	370°
End hose length (ft. - m)	12	3.7

Specifications are subject to change without prior notice.

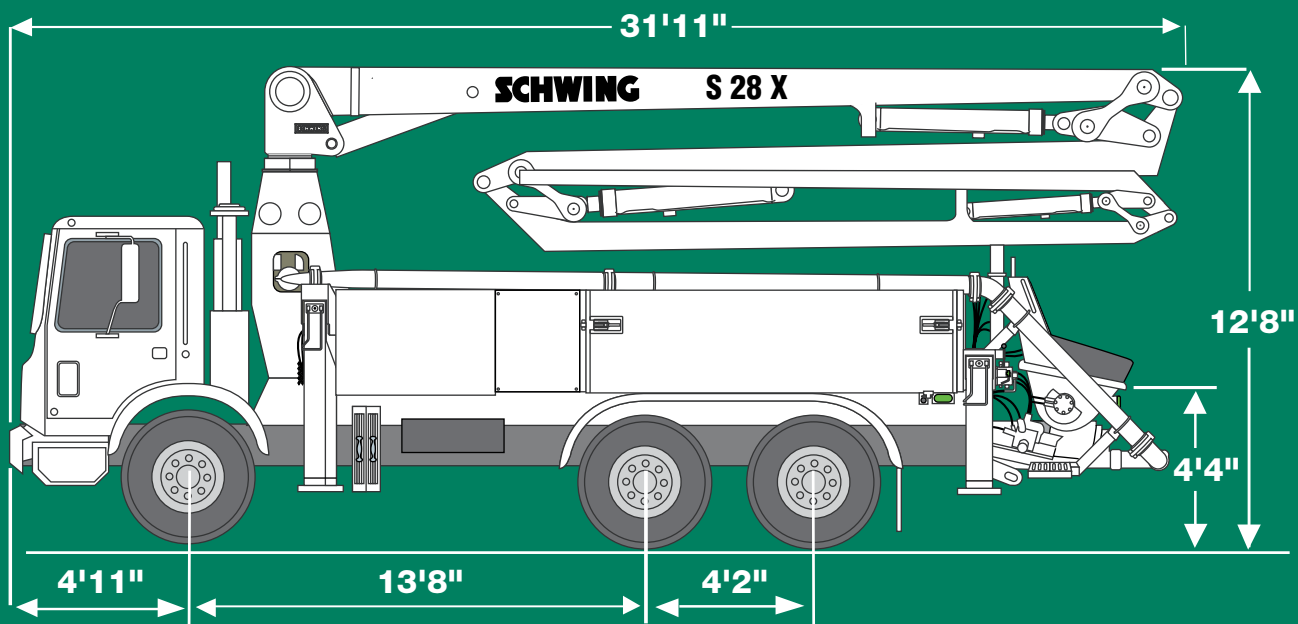


Only one manufacturer can supply the Schwing experience.

Thousands of our customers form a backdrop of success that you can join by letting us spec the right piece of equipment for your needs. And a select group of knowledgeable dealers provides another layer of invaluable experience. You and your staff will be welcomed into our dedicated training facility to learn how to extract the maximum profitability from your Schwing. And your investment is backed by the exclusive Green Shield warranty that can be extended to an industry-leading three years.



*More than 400,000 square feet are devoted to producing the highest quality concrete equipment at our **White Bear, Minnesota** plant. From close inspection of incoming materials to forming our products with the latest robotic welding techniques, Schwing takes craftsmanship to the highest standards. Our state-of-the-art paint facility produces finished products you will be proud to put your name on. In addition, a vast inventory of parts are on hand to keep your Schwing product running at maximum efficiency. Please schedule a visit to this modern facility located minutes north of Minneapolis/St. Paul to see our long-term commitment to the market.*



SCHWING-STETTER MOVES CONCRETE. **WORLDWIDE.**

Wherever concrete is produced and moved is where you will find Schwing-Stetter machinery.

With plants in Germany, Austria, USA, Brazil, Russia, China and India as well as with more than 100 sales and service facilities, the group of companies is always close to the customer.

Our wide range of products with something for every application is what makes Schwing-Stetter the No. 1 system supplier for concrete machinery worldwide.



CONCRETE
BATCHING PLANTS



TRUCK
MIXERS



TRUCK-MOUNTED
CONCRETE PUMPS



STATIONARY
CONCRETE PUMPS



SEPARATE
PLACING BOOMS



CONCRETE
RECYCLERS

